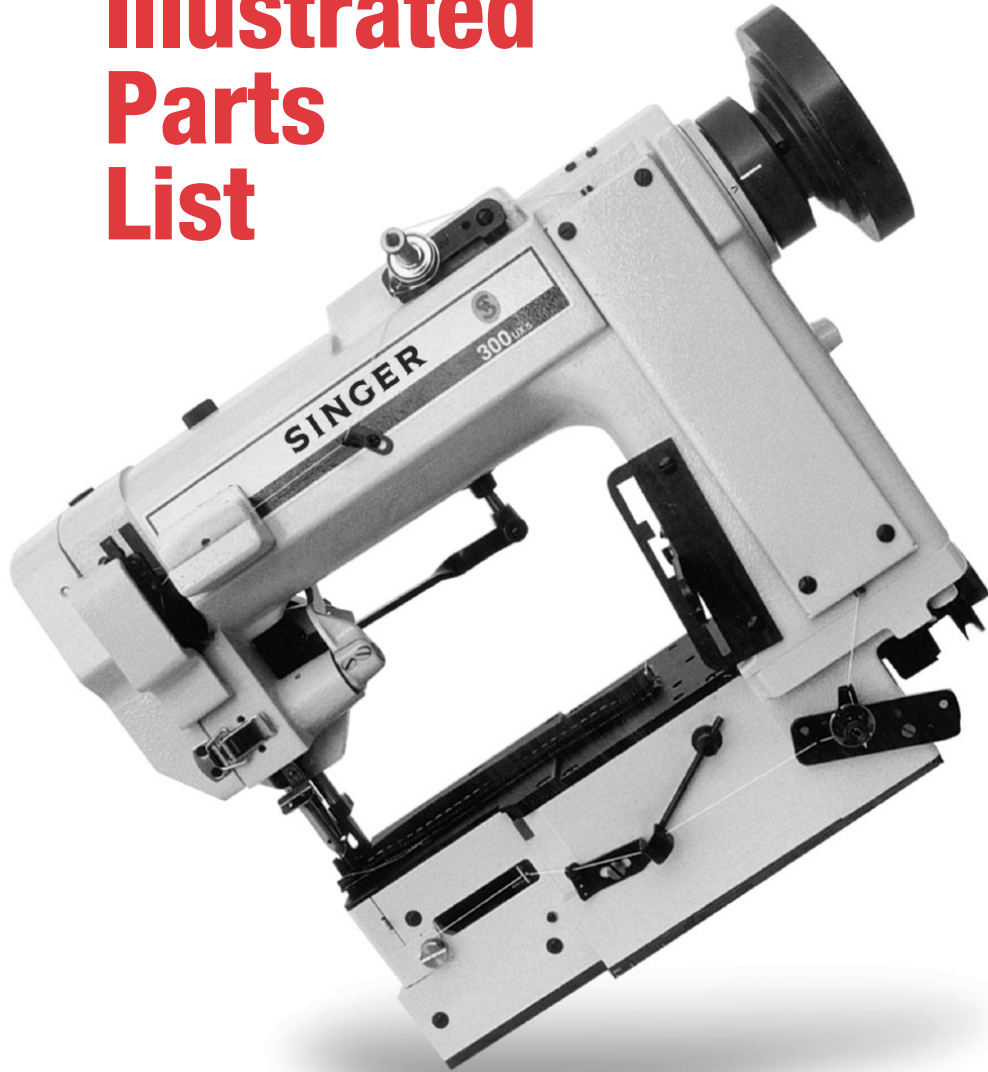




Single Needle, Two Thread, Chainstitch Machine

Illustrated Parts List



From the library of: Diamond Needle Corp

Atlanta Attachment Company is the exclusive stocking distributor for Singer Tape Edge Sewing Heads and recommended spare parts for Singer Tape Edge machines.

The Ultimate Tape Edge Machine

Model **300UX5**

Innovative Technology for the Sewn Products Industry Worldwide

See

300UX5_Parts_Book_cover

for front and back covers

SINGER®

300UX5

ILLUSTRATED PARTS LIST



Atlanta Attachment Company is the exclusive stocking distributor for Singer Tape Edge Sewing Heads and recommended spare parts for Singer Tape Edge machines.

We can also supply proprietary parts in most cases for Cash*, Spuhl*, Porter, United* Tape Edge workstations.

Orders may be placed by:

Phone: **770-963-7369**

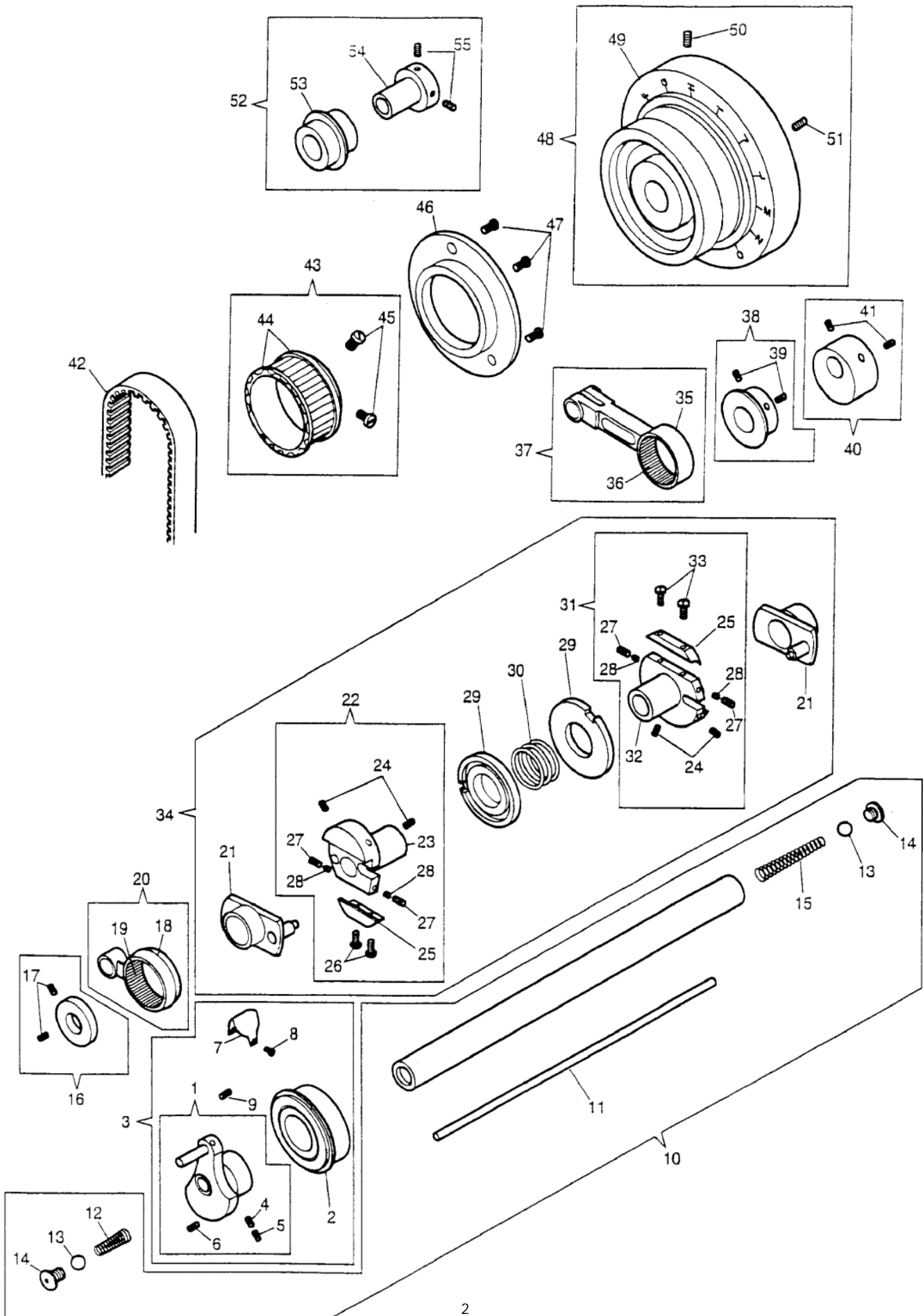
Fax: **770-963-7641**

Email: **sales@atlatt.com**

® A registered trademark of The Singer Company Limited
Copyright © 2000 The Singer Company Limited
All rights reserved throughout the world.

*Cash, Spuhl, Porter, and United are the trademarks of their respective companies.

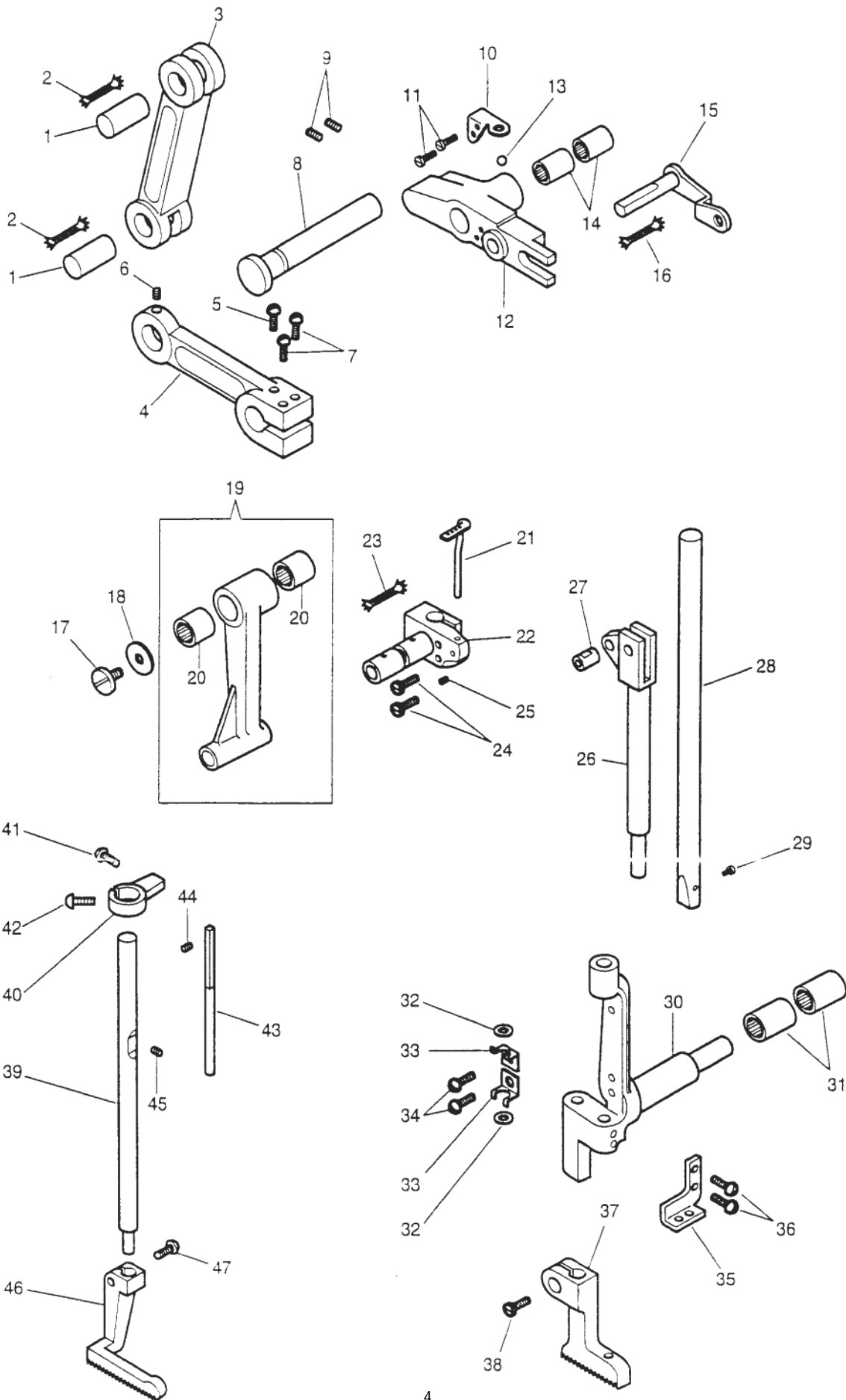
UPPER SHAFT ASSEMBLY



UPPER SHAFT ASSEMBLY

| NO. | PART NO. | DESCRIPTION |
|-----|------------|---|
| 1 | 415138 | NEEDLE BAR CRANK WITH 500272-833, 544358 AND 549924 |
| 2 | 32848 | ARM SHAFT BALL BEARING (FRONT) |
| 3 | 281239 | NEEDLE BAR CRANK COMPLETE, NOS. 415138 AND 32848 |
| 4 | 549024 | NEEDLE BAR CRANK POSITION SCREW |
| 5 | 544358 | NEEDLE BAR CRANK POSITION SCREW CHECK SCREW |
| 6 | 500272-833 | NEEDLE BAR CRANK SET SCREW |
| 7 | 281206 | NEEDLE BAR CRANK COVER |
| 8 | 545205-451 | NEEDLE BAR CRANK COVER SCREW (2) |
| 9 | 281258 | NEEDLE BAR CRANK OIL PACKING (WICK) |
| 10 | 415128 | ARM SHAFT WITH 268009, 268044, 268264, TWO EACH 268214 AND 414578 |
| 11 | 268264 | ARM SHAFT OIL CONTROL ROD (WOOD) |
| 12 | 268009 | ARM SHAFT OIL STOP BALL SPRING (FRONT) |
| 13 | 268214 | ARM SHAFT OIL STOP BALL 5/32IN. DIAM (2) |
| 14 | 414578 | ARM SHAFT OIL STOP BALL SCREW (2) |
| 15 | 268044 | ARM SHAFT OIL STOP BALL SPRING (REAR) |
| 16 | 415308 | LIFTING ECCENTRIC SPACING COLLAR WITH TWO 414529 |
| 17 | 414529 | NEEDLE BAR ROCK FRAME DRIVING ECCENTRIC SPACING COLLAR SET SCREW (2) |
| 18 | 268060 | NEEDLE BAR ROCK FRAME DRIVING CONNECTION |
| 19 | 271055 | NEEDLE BAR ROCK FRAME DRIVING CONNECTION NEEDLE BEARING |
| 20 | 267609 | NEEDLE BAR ROCK FRAME DRIVING CONNECTION 268060 WITH 415368 |
| 21 | 267610 | NEEDLE BAR ROCK FRAME DRIVING ECCENTRIC |
| 21 | 267610 | LIFTING ECCENTRIC |
| 22 | 415078 | NEEDLE BAR ROCK FRAME ECCENTRIC FLANGE 415079 WITH 267623 AND TWO EACH 241763, 414555, 414557 AND 374098 |
| 23 | 415079 | NEEDLE BAR ROCK FRAME DRIVING ECCENTRIC FLANGE |
| 24 | 414555 | NEEDLE BAR ROCK FRAME DRIVING ECCENTRIC FLANGE SET SCREW (2) |
| 24 | 414555 | LIFTING ECCENTRIC FLANGE SET SCREW (2) |
| 25 | 267623 | NEEDLE BAR ROCK FRAME DRIVING ECCENTRIC FRICTION PLATE |
| 25 | 267623 | LIFTING ECCENTRIC FRICTION PLATE |
| 26 | 374098 | NEEDLE BAR ROCK FRAME DRIVING ECCENTRIC FRICTION PLATE SCREW (2) |
| 27 | 414557 | NEEDLE BAR ROCK FRAME DRIVING ECCENTRIC FRICTION PLATE SCREW SET SCREW (2) |
| 27 | 414557 | LIFTING ECCENTRIC FRICTION PLATE SCREW SET SCREW (2) |
| 28 | 241763 | NEEDLE BAR ROCK FRAME DRIVING ECCENTRIC FRICTION PLATE SCREW SET SCREW PACKING (2) |
| 28 | 241763 | LIFTING ECCENTRIC FRICTION PLATE SET SCREW PACKING (2) |
| 29 | 268065 | NEEDLE BAR ROCK FRAME DRIVING ECCENTRIC ADJUSTING DISC |
| 29 | 268065 | LIFTING ECCENTRIC ADJUSTING DISC |
| 30 | 268618 | LIFTING ECCENTRIC ADJUSTING DISC SPRING |
| 31 | 415076 | LIFTING ECCENTRIC FLANGE 415077 WITH 267623 AND TWO EACH 241763, 414555, 414557 AND 544286 |
| 32 | 415077 | LIFTING ECCENTRIC FLANGE |
| 33 | 544286 | LIFTING ECCENTRIC FLANGE FRICTION PLATE SCREW (2) |
| 34 | 415081 | LIFTING ECCENTRIC AND NEEDLE BAR ROCK FRAME DRIVING ECCENTRIC COMPLETE, NOS. 267618, 415076, 415078 AND TWO EACH 267610, 268065 |
| 35 | 268490 | LIFTING ECCENTRIC CONNECTION |
| 36 | 271055 | LIFTING ECCENTRIC CONNECTION NEEDLE BEARING |
| 37 | 268491 | LIFTING ECCENTRIC CONNECTION 268490 WITH 271055 |
| 38 | 415086 | LIFTING ECCENTRIC SPACING COLLAR WITH TWO 414529 |
| 39 | 414529 | LIFTING ECCENTRIC SPACING COLLAR SET SCREW (2) |
| 40 | 281256 | COUNTER BALANCE WITH TWO 544208-005 |
| 41 | 544208-005 | COUNTER BALANCE SET SCREW (2) |
| 42 | 268270 | ARM SHAFT CONNECTION BELT (REINFORCED NEOPRENE) |
| 43 | 281290 | ARM SHAFT CONNECTION BELT PULLEY WITH TWO EACH 414546 AND 202253 |
| 44 | 202253 | ARM SHAFT CONNECTION BELT PULLEY SPRING FLANGE (2) |
| 45 | 414546 | ARM SHAFT CONNECTION BELT PULLEY SET SCREW (2) |
| 46 | 268004-451 | ARM SHAFT BALL BEARING (BACK) HOUSING |
| 47 | 544336 | ARM SHAFT BALL BEARING (BACK) HOUSING SCREW (3) |
| 48 | 415153-451 | MACHINE PULLEY 415154-451 WITH 272142 |
| 49 | 415154-451 | MACHINE PULLEY WITH 414525 AND 414526 |
| 50 | 414525 | MACHINE PULLEY SET SCREW |
| 51 | 414526 | MACHINE PULLEY POSITION SCREW |
| 52 | 281294 | ARM SHAFT THRUST COLLAR WITH 272142, 281295-001 AND TWO 544209-005 |
| 53 | 272142 | ARM SHAFT BALL BEARING BACK |
| 54 | 281295-001 | ARM SHAFT THRUST COLLAR |
| 55 | 544209-005 | ARM SHAFT THRUST COLLAR SET SCREW |

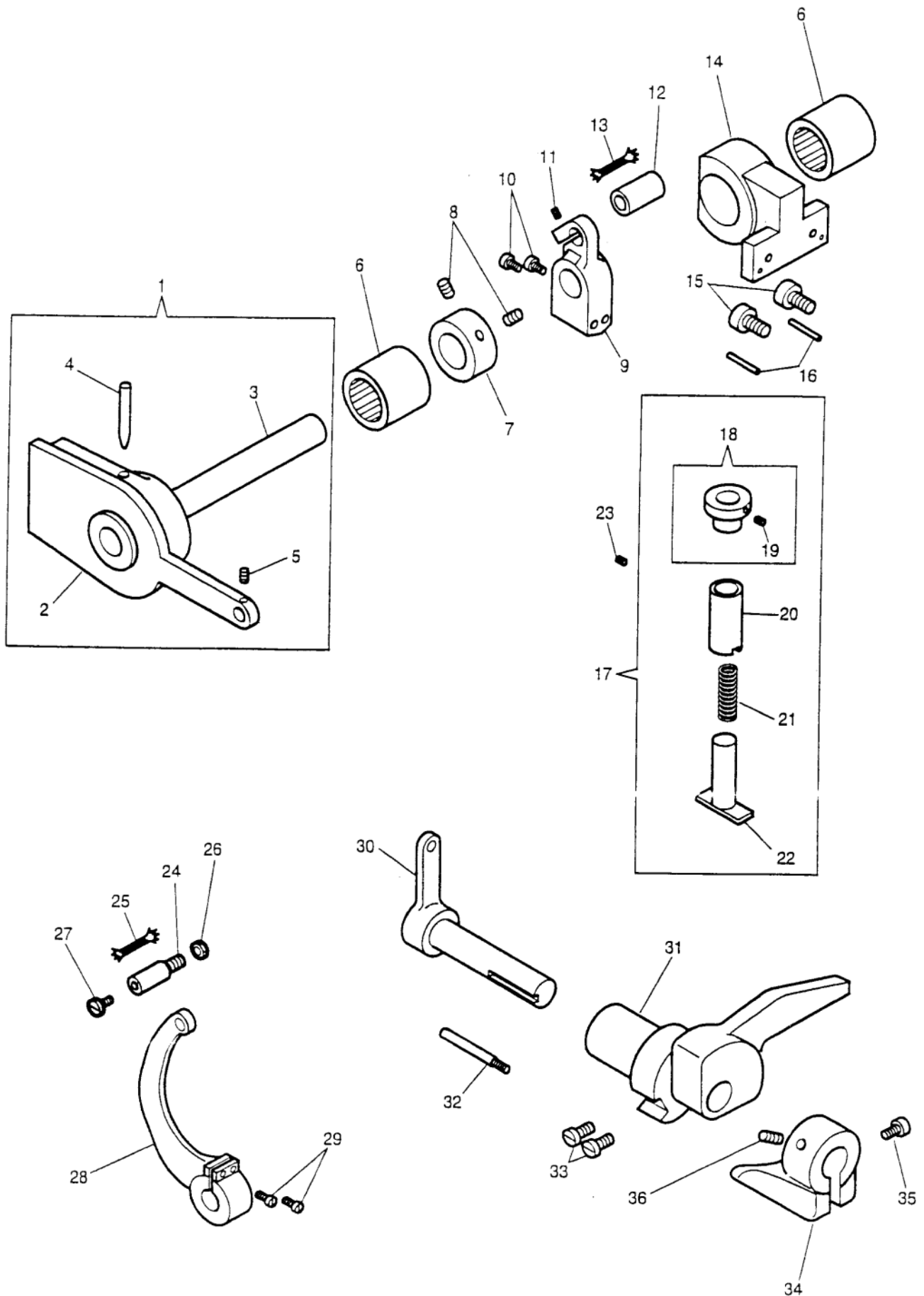
FRONT ASSEMBLY SEWING ARM



FRONT ASSEMBLY SEWING ARM

| NO. | PART NO. | DESCRIPTION |
|-----|----------|---|
| 1 | 267617 | LIFTING ECCENTRIC CONNECTION HINGE PIN WITH 268258 |
| 1 | 267617 | LIFTING LINK HINGE PIN WITH 268258 |
| 2 | 268258 | LIFTING ECCENTRIC CONNECTION HINGE PIN OIL PACKING (WICK) |
| 2 | 268258 | LIFTING LINK HINGE PIN OIL PACKING (WICK) |
| 3 | 267627 | LIFTING LINK |
| 4 | 415061 | LIFTING CRANK WITH 141424, 141338 AND TWO 414511 |
| 5 | 141338 | LIFTING CRANK SET SCREW |
| 6 | 141424 | LIFTING LINK HINGE PIN SET SCREW (2) |
| 7 | 414511 | LIFTING CRANK PINCH SCREW (2) |
| 8 | 267626 | LIFTING LEVER HINGE STUD |
| 9 | 544322 | LIFTING LEVER HINGE STUD SET SCREW (2) |
| 10 | 267718 | PRESSER BAR SPRING ARM BALL RETAINER |
| 11 | 414548 | PRESSER BAR SPRING ARM BALL RETAINER SCREW (2) |
| 12 | 415067 | LIFTING LEVER WITH TWO 267093 |
| 13 | 276025 | PRESSER BAR SPRING ARM BALL |
| 14 | 267093 | LIFTING LEVER NEEDLE BEARING (2) |
| 15 | 267631 | LIFTING PRESSER BAR LIFTING CRANK WITH 268258 |
| 16 | 268258 | LIFTING PRESSER BAR LIFTING CRANK OIL PACKING (WICK) |
| 17 | 414517 | NEEDLE BAR CONNECTING LINK CAP WASHER SCREW |
| 18 | 268139 | NEEDLE BAR CONNECTING LINK CAP WASHER |
| 19 | 281956 | NEEDLE BAR CONNECTING LINK WITH TWO 270266 |
| 20 | 270266 | NEEDLE BAR CONNECTING LINK NEEDLE BEARING (2) |
| 21 | 268512 | NEEDLE THREAD GUIDE (ON NEEDLE BAR CONNECTING STUD) |
| 22 | 281914 | NEEDLE BAR CONNECTING STUD WITH 202330, 414545 AND TWO 414511 |
| 23 | 202330 | NEEDLE BAR CONNECTING STUD OIL PACKING (WICK) |
| 24 | 414511 | NEEDLE BAR CONNECTING STUD PINCH SCREW (2) |
| 25 | 414545 | NEEDLE THREAD GUIDE (ON NEEDLE BAR CONNECTING STUD) SET SCREW |
| 26 | 267657 | VIBRATING PRESSER BAR |
| 27 | 267658 | VIBRATING PRESSER BAR HINGE STUD |
| 28 | 281912 | NEEDLE BAR |
| 29 | 414519 | NEEDLE SET SCREW |
| 30 | 415045 | NEEDLE BAR ROCK FRAME |
| 31 | 268029 | NEEDLE BAR ROCK FRAME NEEDLE BEARING (2) |
| 32 | 268144 | NEEDLE BAR OILING FELT (2) |
| 33 | 268278 | NEEDLE BAR OILING FELT HOLDER (2) |
| 34 | 414522 | NEEDLE BAR OILING FELT HOLDER SCREW (2) |
| 35 | 268219 | NEEDLE BAR ROCK FRAME THREAD GUIDE |
| 36 | 414539 | NEEDLE BAR ROCK FRAME THREAD GUIDE SCREW (2) |
| 37 | 559057 | VIBRATING PRESSER FOOT |
| 38 | 414638 | VIBRATING PRESSER FOOT PINCH SCREW |
| 39 | 267628 | LIFTING PRESSER BAR |
| 40 | 415059 | LIFTING PRESSER BAR GUIDE BLOCK WITH 414512 AND 414516 |
| 41 | 414516 | LIFTING PRESSER BAR GUIDE BLOCK ADJUSTING SCREW |
| 42 | 414512 | LIFTING PRESSER BAR GUIDE BLOCK PINCH SCREW |
| 43 | 267907 | LIFTING PRESSER BAR GUIDE ROD |
| 44 | 544301 | LIFTING PRESSER BAR GUIDE ROD SET SCREW (UPPER) |
| 45 | 414530 | LIFTING PRESSER BAR GUIDE ROD SET SCREW (LOWER) |
| 46 | 559059 | LIFTING PRESSER FOOT |
| 47 | 414638 | LIFTING PRESSER FOOT PINCH SCREW |

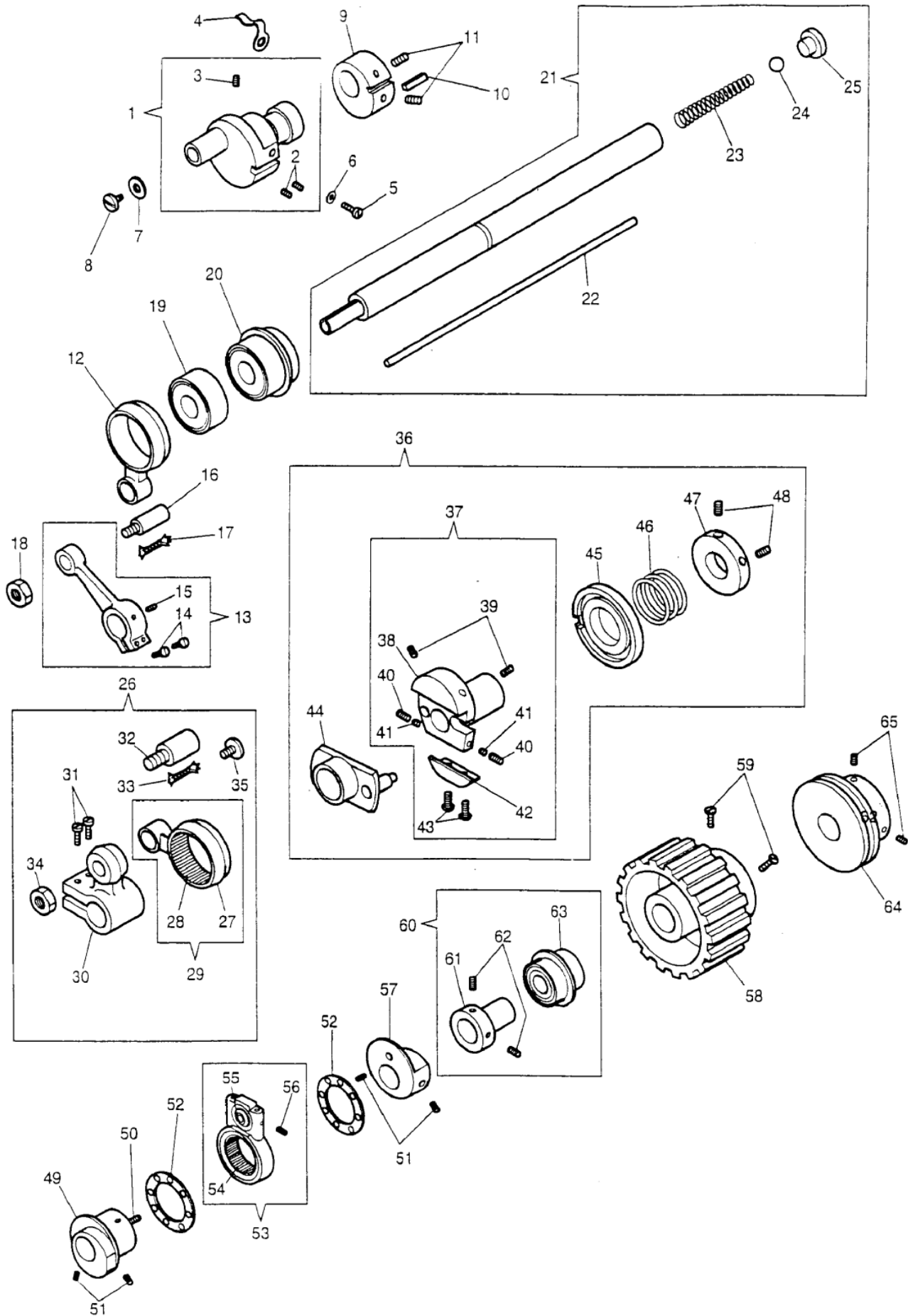
EXTERNAL PARTS SEWING ARM



EXTERNAL PARTS SEWING ARM

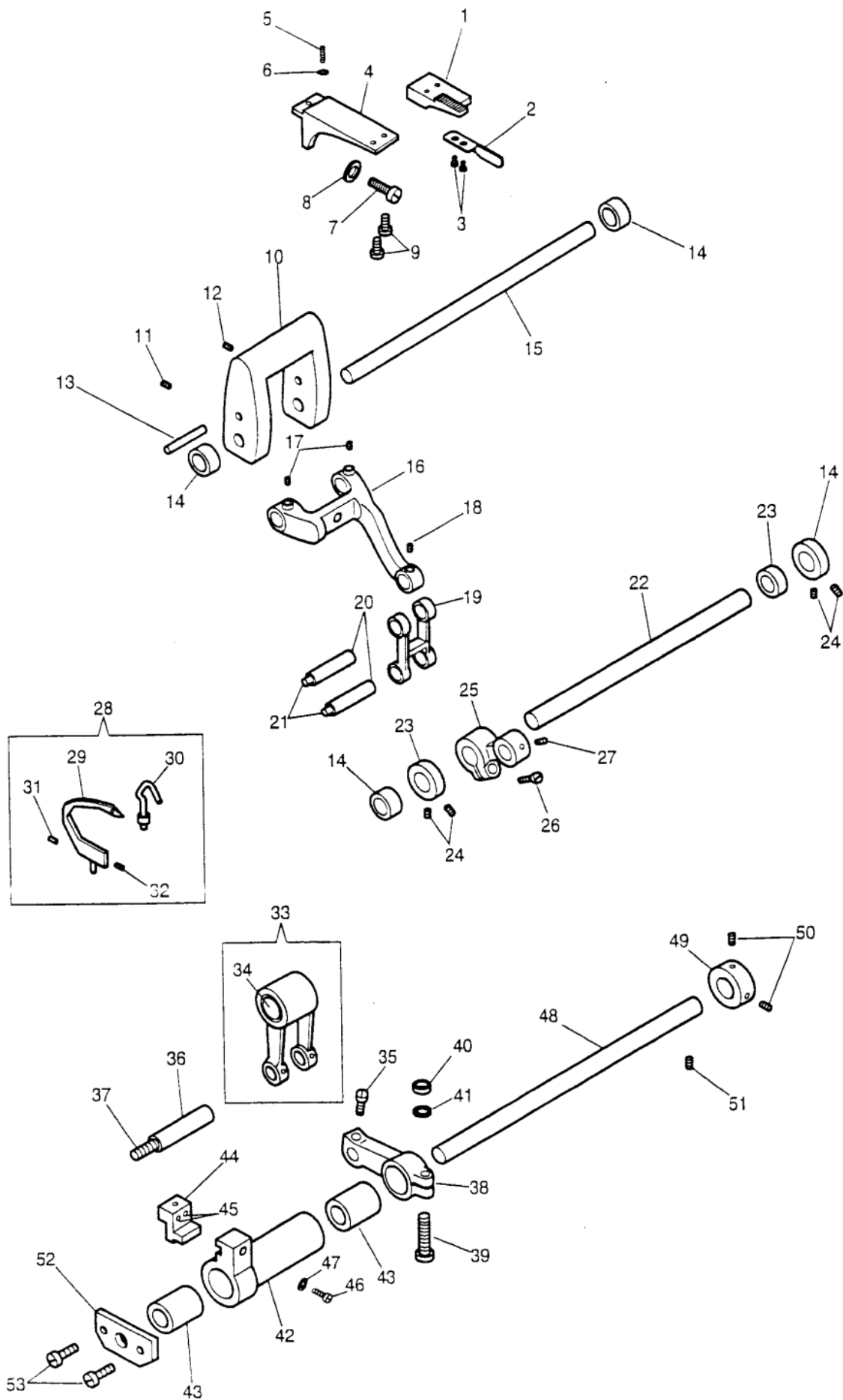
| NO. | PART NO. | DESCRIPTION |
|-----|------------|--|
| 1 | 32789 | LIFTING ROCK SHAFT 267633 WITH 32788, 548035 AND 141422 |
| 2 | 32788 | LIFTING ROCK SHAFT CRANK WITH 141424 |
| 3 | 267633 | LIFTING ROCK SHAFT |
| 4 | 548035 | LIFTING ROCK SHAFT CRANK PIN |
| 5 | 141424 | LIFTING LINK HINGE PIN SET SCREW |
| 6 | 267110 | LIFTING ROCK SHAFT NEEDLE BEARING (2) |
| 7 | 415065 | LIFTING ROCK SHAFT COLLAR WITH TWO 504020 |
| 8 | 504020 | LIFTING ROCK SHAFT COLLAR SET SCREW (2) |
| 9 | 415069 | LIFTING ECCENTRIC CONNECTION CRANK WITH 414543 AND TWO 414509 |
| 10 | 414509 | LIFTING ECCENTRIC CONNECTION CRANK PINCH SCREW (2) |
| 11 | 414543 | LIFTING ECCENTRIC CONNECTION HINGE PIN PINCH SCREW |
| 12 | 267617 | LIFTING ECCENTRIC CONNECTION HINGE PIN WITH 268258 |
| 13 | 268258 | LIFTING ECCENTRIC CONNECTION HINGE PIN OIL PACKING (WICK) |
| 14 | 415071-451 | LIFTING ROCK SHAFT BRACKET |
| 15 | 414504 | LIFTING ROCK SHAFT BRACKET SCREW (2) |
| 16 | 543841-001 | LIFTING ROCK SHAFT BRACKET POSITION PIN (2) |
| 17 | 415098 | NEEDLE BAR ROCK FRAME REGULATING STUD COMPLETE, NOS. 214529, 415099, 268148 AND 268149 |
| 18 | 415099 | NEEDLE BAR ROCK FRAME REGULATING STUD CAP WITH 414528 |
| 19 | 414528 | NEEDLE BAR ROCK FRAME REGULATING STUD CAP SET SCREW |
| 20 | 268149 | NEEDLE BAR ROCK FRAME REGULATING STUD SLEEVE |
| 21 | 214529 | NEEDLE BAR ROCK FRAME REGULATING STUD SPRING |
| 22 | 268148 | NEEDLE BAR ROCK FRAME REGULATING STUD |
| 23 | 414527 | NEEDLE BAR ROCK FRAME REGULATING STUD SLEEVE SET SCREW |
| 24 | 415092 | NEEDLE BAR ROCK FRAME DRIVING CONNECTION HINGE STUD |
| 25 | 268258 | NEEDLE BAR ROCK FRAME DRIVING CONNECTION HINGE STUD OIL PACKING (2) |
| 26 | 541197 | NEEDLE BAR ROCK FRAME DRIVING CONNECTION HINGE STUD NUT |
| 27 | 545297 | NEEDLE BAR ROCK FRAME DRIVING CONNECTION CAP SCREW |
| 28 | 415094-451 | NEEDLE BAR ROCK FRAME DRIVING ARM WITH TWO 414790 |
| 29 | 414790 | NEEDLE BAR ROCK FRAME DRIVING ARM PINCH SCREW (2) |
| 30 | 267612 | FOOT LIFTER CRANK |
| 31 | 267719-452 | PRESSER BAR SPRING ARM FULCRUM |
| 32 | 414566 | FOOT LIFTER CRANK STOP SCREW STUD |
| 33 | 350604 | PRESSER BAR SPRING ARM FULCRUM SET SCREW (2) |
| 34 | 415122 | FOOT LIFTER ARM WITH 414509 AND 545213 |
| 35 | 414509 | FOOT LIFTER ARM PINCH SCREW |
| 36 | 545213 | FOOT LIFTER ARM SET SCREW |

LOWER SHAFT ASSEMBLY



| NO. | PART NO. | DESCRIPTION |
|-----|------------|---|
| 1 | 415176 | LOOPER DRIVING CRANK WITH 500264-833 AND TWO 374099 |
| 2 | 347099 | LOOPER DRIVING CRANK POSITION SCREW (2) |
| 3 | 500264-833 | LOOPER DRIVING CRANK SET SCREW |
| 4 | 268102 | LOOPER DRIVING CRANK OIL HOLE COVER |
| 5 | 414563 | LOOPER DRIVING CRANK OIL HOLE COVER SCREW |
| 6 | 204925 | LOOPER DRIVING CRANK OIL HOLE COVER SCREW WASHER |
| 7 | 418465 | LOOPER DRIVING CONNECTION WASHER |
| 8 | 414518 | LOOPER DRIVING CONNECTION WASHER SCREW |
| 9 | 415210 | FEED LIFTING ECCENTRIC WITH 268077 AND TWO 544204-001 |
| 10 | 268077 | FEED LIFTING ECCENTRIC LUBRICATING PAD (WOOD) |
| 11 | 544208-005 | FEED LIFTING ECCENTRIC SET SCREW (2) |
| 12 | 268074 | FEED LIFTING CONNECTION |
| 13 | 415206 | FEED LIFTING ROCK SHAFT CRANK WITH 414549 AND TWO 414511 |
| 14 | 414511 | FEED LIFTING ROCK SHAFT CRANK PINCH SCREW (2) |
| 15 | 414549 | FEED LIFTING ROCK SHAFT CRANK POSITION SCREW |
| 16 | 415092 | FEED LIFTING CONNECTION HINGE STUD |
| 17 | 268258 | FEED LIFTING CONNECTION HINGE STUD OIL PACKING (WICK) |
| 18 | 541197 | FEED LIFTING CONNECTION HINGE STUD NUT |
| 19 | 281216 | BED SHAFT BALL BEARING |
| 20 | 281224 | BED SHAFT BALL BEARING |
| 21 | 559038 | BED SHAFT WITH 268044, 268214, 268265 AND 414578 |
| 22 | 268265 | BED SHAFT OIL CONTROL ROD (WOOD) |
| 23 | 268044 | BED SHAFT OIL STOP BALL SPRING |
| 24 | 268214 | BED SHAFT OIL STOP BALL 5/32 IN. DIAM. |
| 25 | 414578 | BED SHAFT OIL STOP BALL SCREW |
| 26 | 415212 | FEED DRIVING ROCK SHAFT CRANK 415213 WITH 268061, 415091, 541197 AND 545297 |
| 27 | 268608 | FEED DRIVING CONNECTION |
| 28 | 271055 | FEED DRIVING CONNECTION NEEDLE BEARING |
| 29 | 268609 | FEED DRIVING CONNECTION 268060 WITH 415368 |
| 30 | 415213 | FEED DRIVING ROCK SHAFT CRANK WITH TWO 414511 |
| 31 | 414511 | FEED DRIVING ROCK SHAFT CRANK PINCH SCREW (2) |
| 32 | 415092 | FEED DRIVING CONNECTION HINGE STUD |
| 33 | 268258 | FEED DRIVING CONNECTION HINGE STUD OIL PACKING (WICK) |
| 34 | 541197 | FEED DRIVING CONNECTION HINGE STUD NUT |
| 35 | 545297 | FEED DRIVING CONNECTION CAP SCREW |
| 36 | 415082 | FEED DRIVING ECCENTRIC COMPLETE, NOS. 268610, 268065, 268066, 412011 AND 415073 |
| 37 | 415073 | FEED DRIVING ECCENTRIC FLANGE 415074 WITH 267623 AND TWO EACH 241763, 414555, 414557 AND 374098 |
| 38 | 415074 | FEED DRIVING ECCENTRIC FLANGE |
| 39 | 414555 | FEED DRIVING ECCENTRIC FLANGE SET SCREW (2) |
| 40 | 414557 | FEED DRIVING ECCENTRIC FRICTION PLATE SCREW SET SCREW (2) |
| 41 | 241763 | FEED DRIVING ECCENTRIC FRICTION PLATE SCREW SET SCREW PACKING (BRASS) |
| 42 | 267263 | FEED DRIVING ECCENTRIC FRICTION PLATE |
| 43 | 374098 | FEED DRIVING ECCENTRIC FRICTION PLATE SCREW (2) |
| 44 | 267610 | FEED DRIVING ECCENTRIC |
| 45 | 268065 | FEED DRIVING ECCENTRIC ADJUSTING DISC |
| 46 | 268066 | FEED DRIVING ECCENTRIC ADJUSTING DISC SPRING |
| 47 | 412011 | FEED DRIVING ECCENTRIC ADJUSTING DISC SPRING COLLAR WITH TWO 54432 |
| 48 | 544325 | FEED DRIVING ECCENTRIC ADJUSTING DISC SPRING COLLAR SET SCREW (2) |
| 49 | 415187 | SPREADER DRIVING ECCENTRIC AND 543808-002 WITH TWO 414528 |
| 50 | 543808-002 | SPREADER DRIVING ECCENTRIC PIN |
| 51 | 414528 | SPREADER DRIVING ECCENTRIC SET SCREW (2) |
| 51 | 414528 | SPREADER DRIVING ECCENTRIC COUNTERBALANCE SET SCREW (2) |
| 52 | 268220 | SPREADER DRIVING ECCENTRIC THRUST WASHER (2) |
| 53 | 281246 | SPREADER DRIVING CONNECTION WITH 415368, 281248 AND 544201-001 |
| 54 | 415368 | SPREADER DRIVING CONNECTION NEEDLE BEARING |
| 55 | 281248 | SPREADER DRIVING ROCK SHAFT SCREW STUD BALL ROLLER |
| 56 | 544203-001 | SPREADER DRIVING ROCK SHAFT SCREW STUD BALL ROLLER SET SCREW |
| 57 | 415190 | SPREADER DRIVING ECCENTRIC COUNTERBALANCE WITH TWO 414528 |
| 58 | 281292 | BED SHAFT CONNECTION BELT PULLEY WITH TWO 414546 |
| 59 | 414546 | BED SHAFT CONNECTION BELT PULLEY SET SCREW (2) |
| 60 | 281294 | BED SHAFT THRUST COLLAR WITH 281295-001, 272142, AND TWO 544209-005 |
| 61 | 281295-001 | BED SHAFT THRUST COLLAR |
| 62 | 544209-005 | BED SHAFT THRUST COLLAR SET SCREW (2) |
| 63 | 272142 | BED SHAFT THRUST COLLAR BEARING |
| 64 | 559040 | BED SHAFT PULLEY |
| 65 | 544209-005 | BED SHAFT PULLEY SET SCREW (2) |

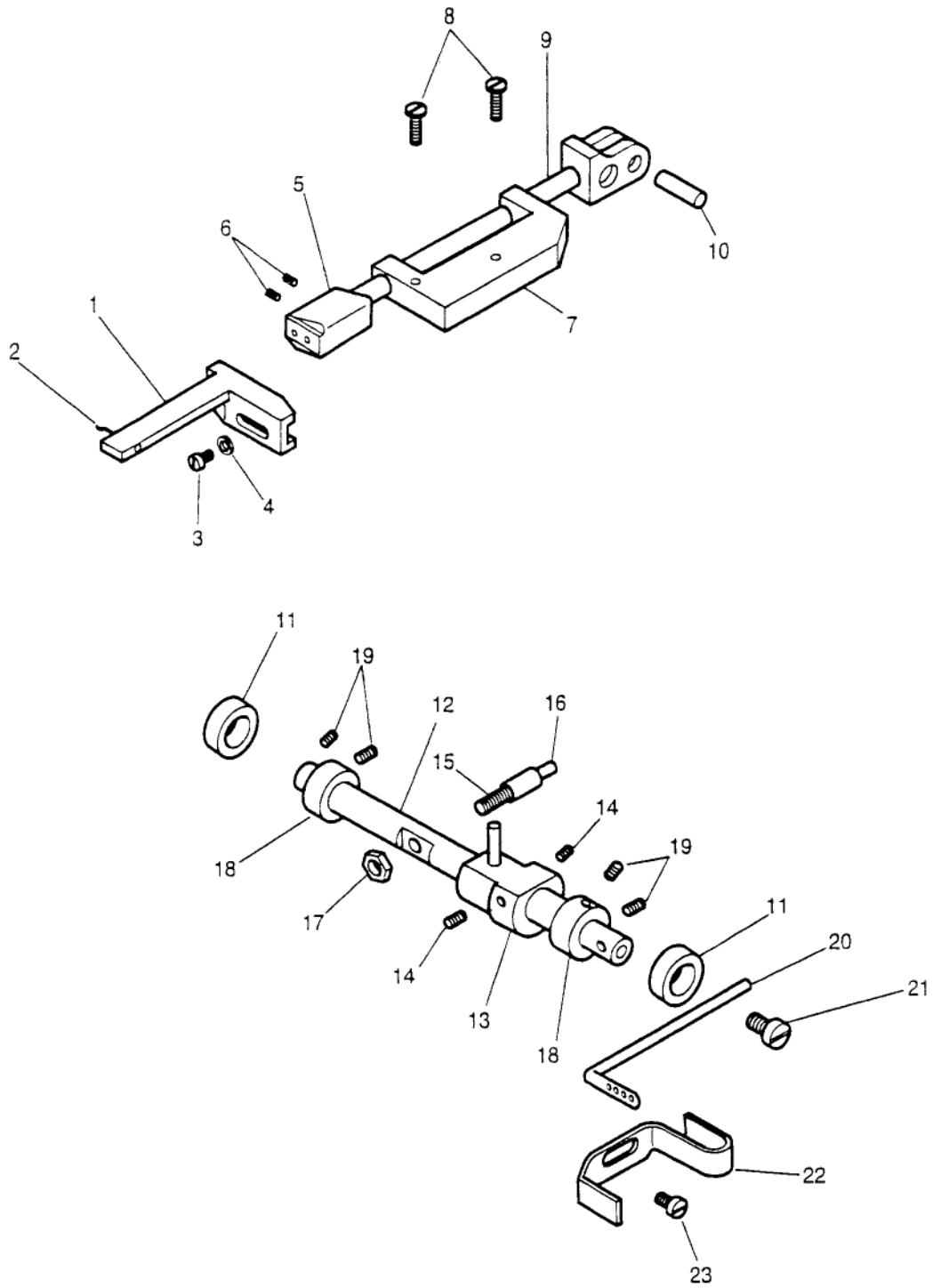
FRONT ASSEMBLY SEWING BED



FRONT ASSEMBLY SEWING BED

| NO. | PART NO. | DESCRIPTION |
|-----|------------|--|
| 1 | 559061 | FEED DOG |
| 2 | 267665 | LOOP DEFLECTOR |
| 3 | 229 | LOOP DEFLECTOR SCREW (2) |
| 4 | 559064 | FEED DOG SHANK |
| 5 | 414559 | FEED DOG SHANK ADJUSTING SCREW |
| 6 | 541200 | FEED DOG SHANK ADJUSTING SCREW LOCK NUT |
| 7 | 414520 | FEED DOG SHANK SCREW |
| 8 | 543804-004 | FEED DOG SHANK WASHER |
| 9 | 374107-003 | FEED DOG SCREW (2) |
| 10 | 559049 | FEED DRIVING ROCK FRAME |
| 11 | 549024 | FEED DRIVING ROCK FRAME POSITION SCREW |
| 12 | 500264-833 | FEED DRIVING ROCK FRAME SET SCREW |
| 13 | 559051 | FEED BAR HINGE PIN |
| 14 | 415297 | FEED DRIVING ROCK SHAFT BUSHING (2) |
| 14 | 415297 | FEED LIFTING ROCK SHAFT BUSHING (2) |
| 15 | 268070 | FEED DRIVING ROCK SHAFT |
| 16 | 559046 | FEED BAR |
| 17 | 544204-001 | FEED BAR SET SCREW (2) |
| 18 | 545213 | FEED LIFTING LINK HINGE PIN SET SCREW |
| 19 | 268078 | FEED LIFTING LINK |
| 20 | 268079 | FEED LIFTING LINK HINGE PIN WITH 268258 (2) |
| 21 | 268258 | FEED LIFTING LINK HINGE PIN OIL PACKING (WICK) (2) |
| 22 | 559052 | FEED LIFTING ROCK SHAFT |
| 23 | 415065 | FEED LIFTING ROCK SHAFT COLLAR WITH TWO 504020 (2) |
| 24 | 504020 | FEED LIFTING ROCK SHAFT COLLAR SET SCREW (2) |
| 25 | 415204 | FEED LIFTING CRANK WITH 414501 AND 545213 |
| 26 | 414501 | FEED LIFTING CRANK PINCH SCREW |
| 27 | 545213 | FEED LIFTING LINK HINGE PIN SET SCREW |
| 28 | 281208 | LOOPER AND NEEDLE GUARD COMPLETE, NOS. 281207 AND 268380 |
| 29 | 268380 | LOOPER WITH 141478 AND 141494 |
| 30 | 281207 | NEEDLE GUARD |
| 31 | 141478 | NEEDLE GUARD SET SCREW (BACK) |
| 32 | 141494 | NEEDLE GUARD SET SCREW (FRONT) |
| 33 | 281223 | LOOPER DRIVING CONNECTION WITH 415500 |
| 34 | 415500 | LOOPER DRIVING CONNECTION BUSHING |
| 35 | 414516 | LOOPER CARRIER CRANK HINGE PIN PINCH SCREW |
| 36 | 268208 | LOOPER CARRIER CRANK HINGE PIN WITH 268258 |
| 37 | 268258 | LOOPER CARRIER CRANK HINGE PIN OIL PACKING (WICK) |
| 38 | 415174 | LOOPER CARRIER CRANK WITH 414516 |
| 39 | 415292 | LOOPER CARRIER CRANK CLAMPING STUD |
| 40 | 541198 | LOOPER CARRIER CRANK CLAMPING STUD NUT |
| 41 | 548459 | LOOPER CARRIER CRANK CLAMPING STUD WASHER |
| 42 | 559041 | LOOPER CARRIER WITH TWO 415500 |
| 43 | 415500 | LOOPER CARRIER BUSHING (2) |
| 44 | 559055 | LOOPER HOLDER |
| 45 | 414558 | LOOPER SET SCREW (2) |
| 46 | 414750-002 | LOOPER HOLDER SCREW |
| 47 | 543804-004 | LOOPER HOLDER SCREW WASHER |
| 48 | 269617 | LOOPER CARRIER SHAFT |
| 49 | 415172 | LOOPER CARRIER SHAFT COLLAR WITH TWO 544204-001 |
| 50 | 544204-001 | LOOPER CARRIER SHAFT COLLAR SET SCREW (2) |
| 51 | 544209-003 | LOOPER CARRIER SHAFT SET SCREW |
| 52 | 559044 | LOOPER CARRIER SHAFT SUPPORTING PLATE |
| 53 | 414518 | LOOPER CARRIER SHAFT SUPPORTING PLATE SCREW (2) |

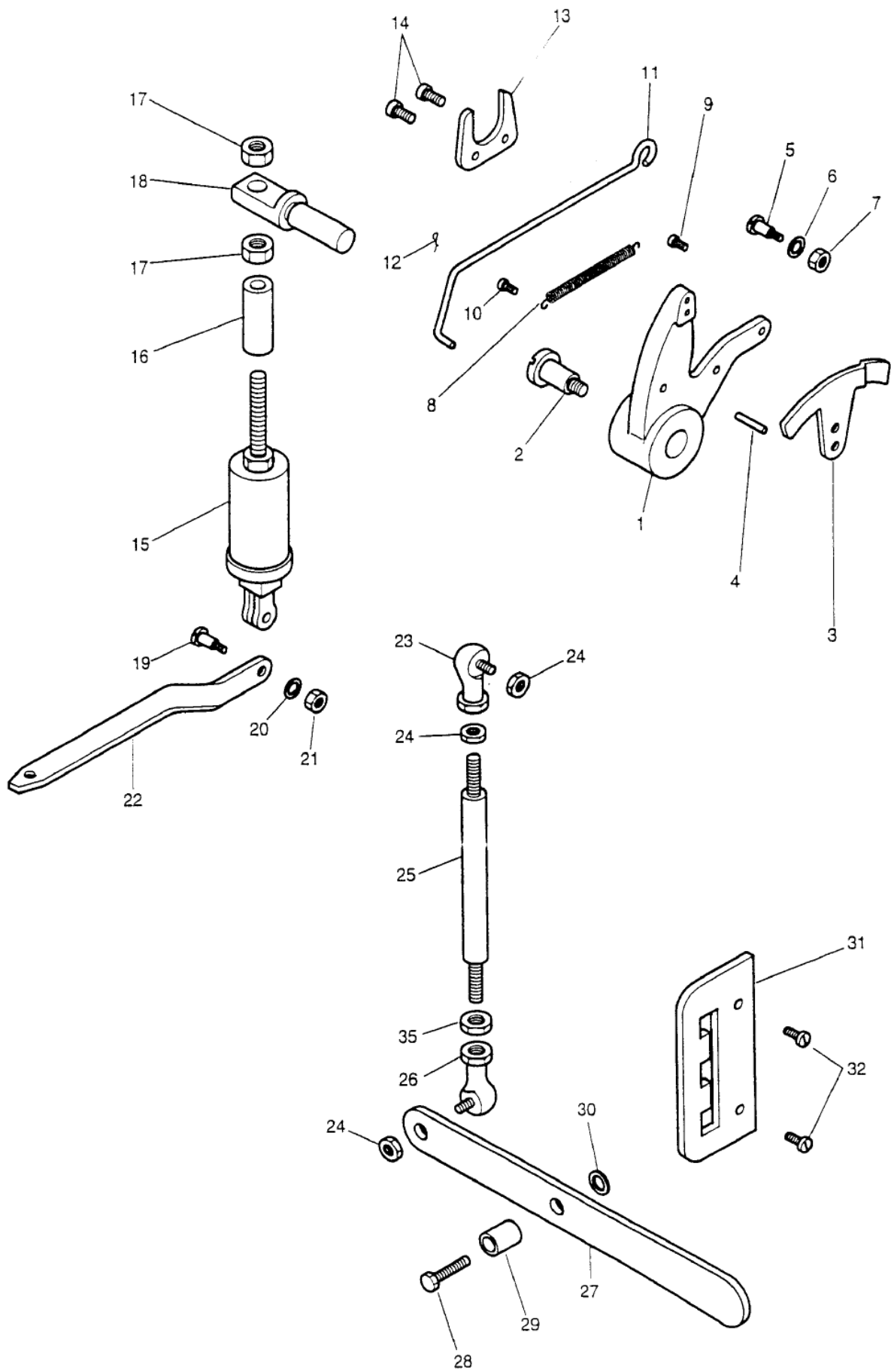
CROSS SHAFT IN SEWING BED



CROSS SHAFT IN SEWING BED

| NO. | PART NO. | DESCRIPTION |
|-----|------------|---|
| 1 | 281975 | SPREADER WITH 268162 |
| 2 | 268162 | SPREADER POINT |
| 3 | 414552 | SPREADER SCREW |
| 4 | 547670 | SPREADER SCREW WASHER |
| 5 | 415196 | SPREADER HOLDER WITH TWO 414529 |
| 6 | 414529 | SPREADER HOLDER SET SCREW |
| 7 | 268184 | SPREADER BAR BRACKET |
| 8 | 414524 | SPREADER BAR BRACKET SCREW (2) |
| 9 | 559065 | SPREADER BAR |
| 10 | 268190 | SPREADER DRIVING PIN |
| 11 | 415297 | SPREADER DRIVING ROCK SHAFT BUSHING (2) |
| 12 | 415389 | SPREADER DRIVING ROCK SHAFT WITH 504019 |
| 13 | 415194 | SPREADER DRIVING CRANK WITH TWO 544204-001 |
| 14 | 544204-001 | SPREADER DRIVING CRANK SET SCREW (2) |
| 15 | 414575 | SPREADER DRIVING ROCK SHAFT SCREW STUD |
| 16 | 32825 | SPREADER DRIVING ROCK SHAFT SCREW STUD OIL PACKING (WICK) |
| 17 | 545424 | SPREADER DRIVING ROCK SHAFT SCREW STUD NUT |
| 18 | 415065 | SPREADER DRIVING ROCK SHAFT COLLAR WITH TWO 504020 (2) |
| 19 | 504020 | SPREADER DRIVING ROCK SHAFT COLLAR SET SCREW (4) |
| 20 | 268052 | LOOPER THREAD TAKE-UP ROD |
| 21 | 504019 | LOOPER THREAD TAKE-UP ROD SET SCREW |
| 22 | 269619 | LOOPER THREAD GUIDE (ON FRONT) |
| 23 | 414510 | LOOPER THREAD GUIDE SCREW |

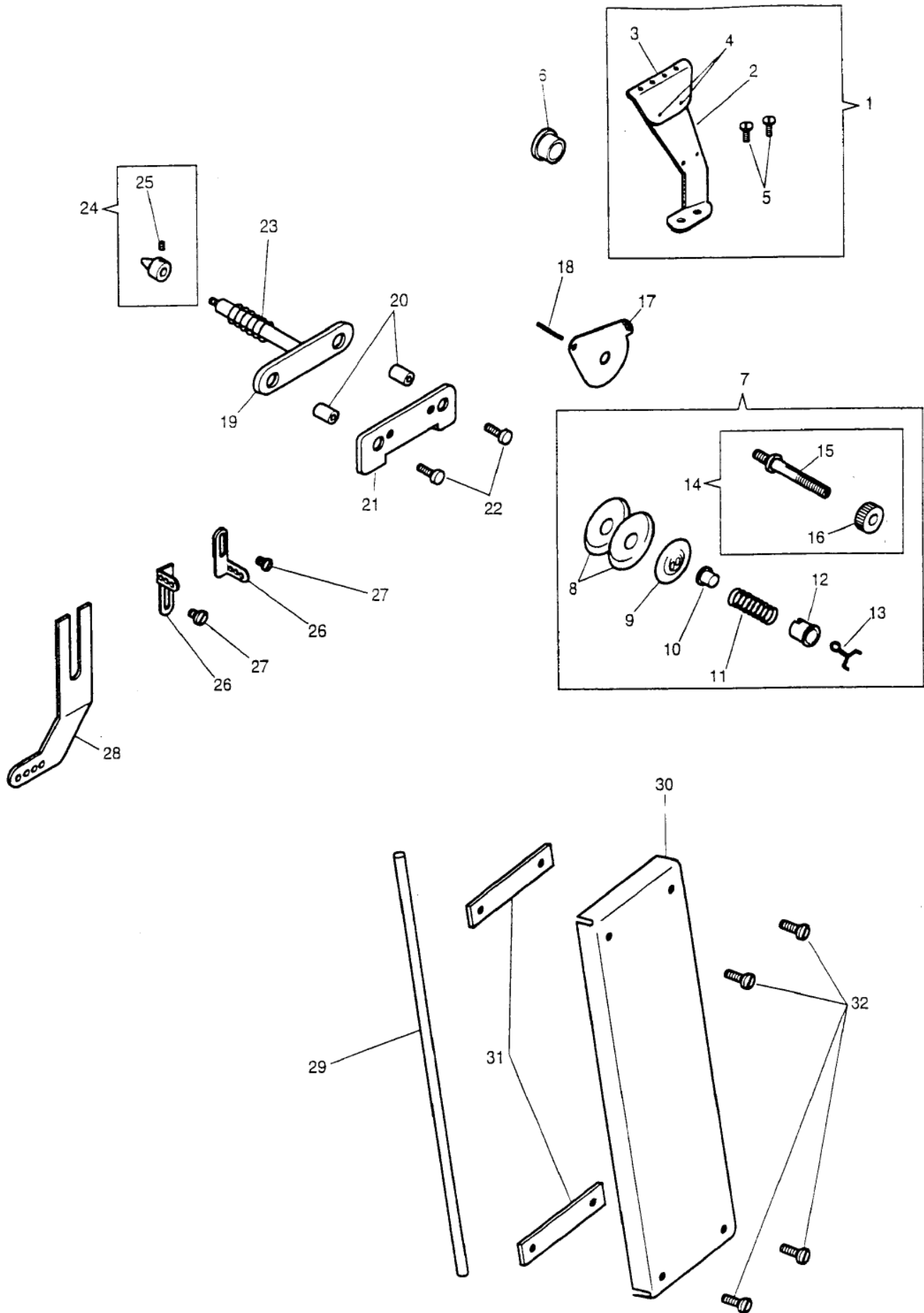
EXTERNAL PARTS SEWING ARM



EXTERNAL PARTS SEWING ARM

| NO. | PART NO. | DESCRIPTION |
|-----|------------|---|
| 1 | 281929 | FOOT LIFTER LEVER WITH 543850-001 |
| 2 | 201363 | FOOT LIFTER LEVER HINGE SCREW |
| 3 | 267707 | NEEDLE THREAD TENSION RELEASING PLATE (ADJUSTABLE) |
| 4 | 543850-001 | NEEDLE THREAD TENSION RELEASING PLATE PIN |
| 5 | 414577 | FOOT LIFTER LEVER ROD HINGE SCREW |
| 6 | 543804-004 | FOOT LIFTER LEVER ROD HINGE SCREW WASHER |
| 7 | 541166-003 | FOOT LIFTER LEVER ROD HINGE SCREW NUT |
| 8 | 204348 | FOOT LIFTER LEVER SPRING |
| 9 | 414570 | FOOT LIFTER LEVER SPRING SCREW EYE |
| 10 | 544336 | FOOT LIFTER LEVER SPRING SCREW |
| 11 | 267704 | FOOT LIFTER LEVER ROD WITH 248423 |
| 12 | 248423 | FOOT LIFTER ROD COTTER PIN |
| 13 | 267650 | PRESSER BAR SPRING HOUSING SUPPORT RETAINER |
| 14 | 545205-451 | PRESSER BAR SPRING HOUSING SUPPORT RETAINER SCREW (2) |
| 15 | 415106 | PRESSER BAR SPRING HOUSING COMPLETE |
| 16 | 559077 | PRESSER BAR SPRING HOUSING COLLAR |
| 17 | 541198 | PRESSER BAR SPRING HOUSING NUT (2) |
| 18 | 267714 | PRESSER BAR SPRING HOUSING SUPPORT |
| 19 | 414567 | PRESSER BAR SPRING ARM HINGE SCREW |
| 20 | 548154 | PRESSER BAR SPRING ARM HINGE SCREW WASHER |
| 21 | 545405 | PRESSER BAR SPRING ARM HINGE SCREW NUT |
| 22 | 267738 | PRESSER BAR SPRING ARM |
| 23 | 412373 | LIFTING ROD CONNECTION (UPPER) |
| 24 | 541166-001 | LIFTING ROD CONNECTION NUT (3) |
| 25 | 559068 | LIFTING ROD |
| 26 | 559067 | LIFTING ROD CONNECTION (LOWER) |
| 27 | 559069 | LIFTING LEVER |
| 28 | 544499-072 | LIFTING LEVER HINGE SCREW |
| 29 | 559070 | LIFTING LEVER HINGE SCREW COLLAR |
| 30 | 543874-005 | LIFTING LEVER HINGE SCREW WASHER |
| 31 | 559071 | LIFTING LEVER LATCH PLATE |
| 32 | 414508 | LIFTING LEVER LATCH PLATE SCREW (2) |
| 35 | 414774 | LIFTING ROD NUT (LOWER) |

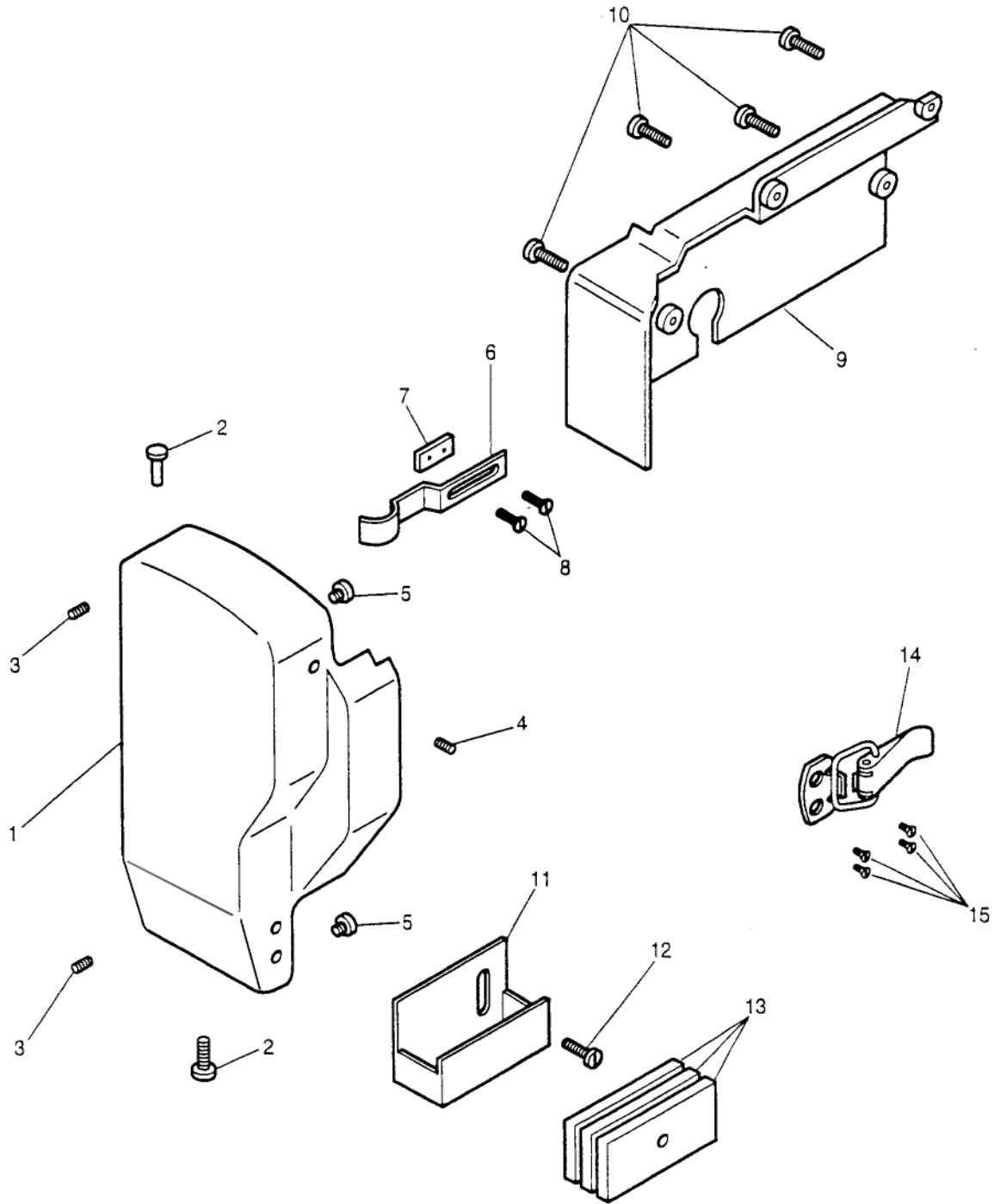
EXTERNAL PARTS SEWING ARM



EXTERNAL PARTS SEWING ARM

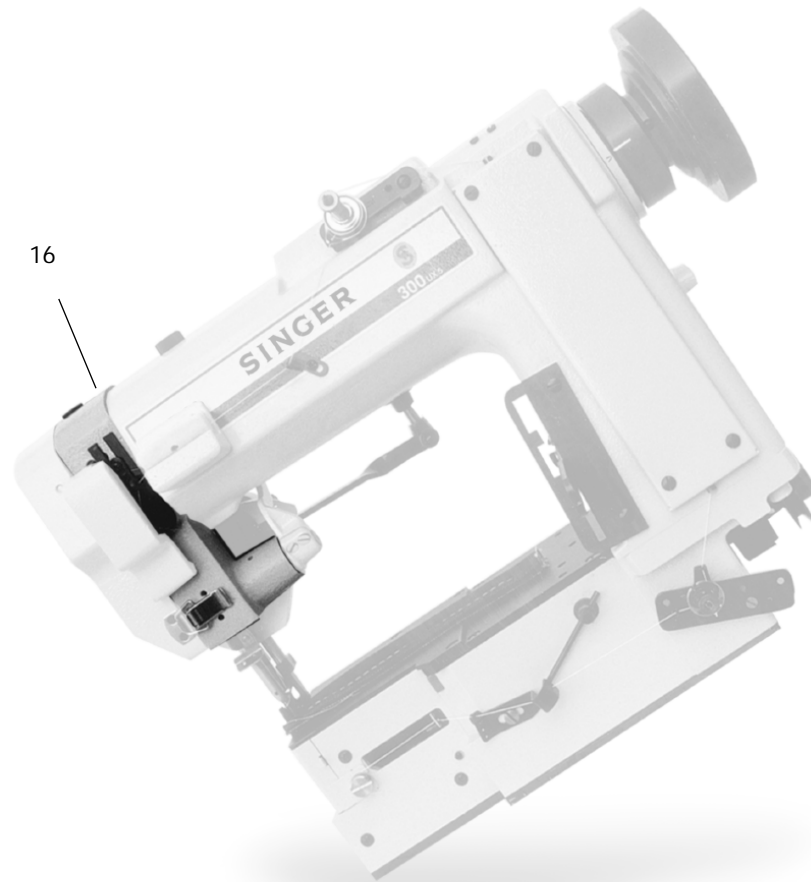
| NO. | PART NO. | DESCRIPTION |
|-----|------------|--|
| 1 | 268506 | LOOPER THREAD GUIDE (TOP OF ARM) BRACKET 268111 WITH 268505 AND TWO 5016 |
| 2 | 268111 | LOOPER THREAD GUIDE (TOP OF ARM) BRACKET |
| 3 | 268505 | LOOPER THREAD GUIDE (TOP OF ARM) |
| 4 | 50169 | LOOPER THREAD GUIDE (TOP OF ARM) BRACKET SCREW (2) |
| 5 | 414537 | LOOPER THREAD GUIDE (TOP OF ARM) BRACKET SCREW (2) |
| 6 | 544875 | ARM PLUG |
| 7 | 267971 | NEEDLE THREAD TENSION COMPLETE, NOS. 32572, 59538, 59539, 131741, 143657, 143658, AND TWO 2102 |
| 8 | 2102 | NEEDLE THREAD TENSION DISC (2) |
| 9 | 32572 | NEEDLE THREAD TENSION RELEASING DISC |
| 10 | 59538 | NEEDLE THREAD TENSION SPRING BUSHING (BACK) |
| 11 | 131741 | NEEDLE THREAD TENSION SPRING |
| 12 | 143657 | NEEDLE THREAD TENSION SPRING BUSHING (FRONT) |
| 13 | 143658 | NEEDLE THREAD TENSION THUMB NUT LOCKING SPRING |
| 14 | 59539 | NEEDLE THREAD TENSION STUD 50326 WITH 51570 |
| 15 | 50326 | NEEDLE THREAD TENSION STUD |
| 16 | 51570 | NEEDLE THREAD TENSION THUMB NUT |
| 17 | 54279 | NEEDLE THREAD TENSION THREAD GUIDE (DOUBLE) |
| 18 | 226206 | NEEDLE THREAD TENSION RELEASING PIN |
| 19 | 415357 | NEEDLE THREAD TENSION RELEASER |
| 20 | 543853-003 | NEEDLE THREAD TENSION BRACKET SPACING COLLAR (2) |
| 21 | 268167 | NEEDLE THREAD TENSION BRACKET |
| 22 | 544336 | NEEDLE THREAD TENSION BRACKET SCREW (2) |
| 23 | 204365 | NEEDLE THREAD TENSION RELEASER SPRING |
| 24 | 415252 | NEEDLE THREAD TENSION RELEASER CAP WITH 504048 |
| 25 | 504048 | NEEDLE THREAD TENSION RELEASER CAP SET SCREW |
| 26 | 268513 | NEEDLE THREAD GUIDE (ON SIDE OF ARM) (2) |
| 27 | 414514 | NEEDLE THREAD GUIDE SCREW (3) |
| 28 | 268312 | NEEDLE THREAD GUIDE (ON ARM HEAD) |
| 29 | 268123 | LOOPER THREAD TUBE |
| 30 | 415342-451 | LOOPER THREAD TUBE COVER |
| 31 | 268500 | LOOPER THREAD COVER CUSHION |
| 32 | 414639 | LOOPER THREAD TUBE COVER SCREW (4) |

EXTERNAL PARTS SEWING ARM

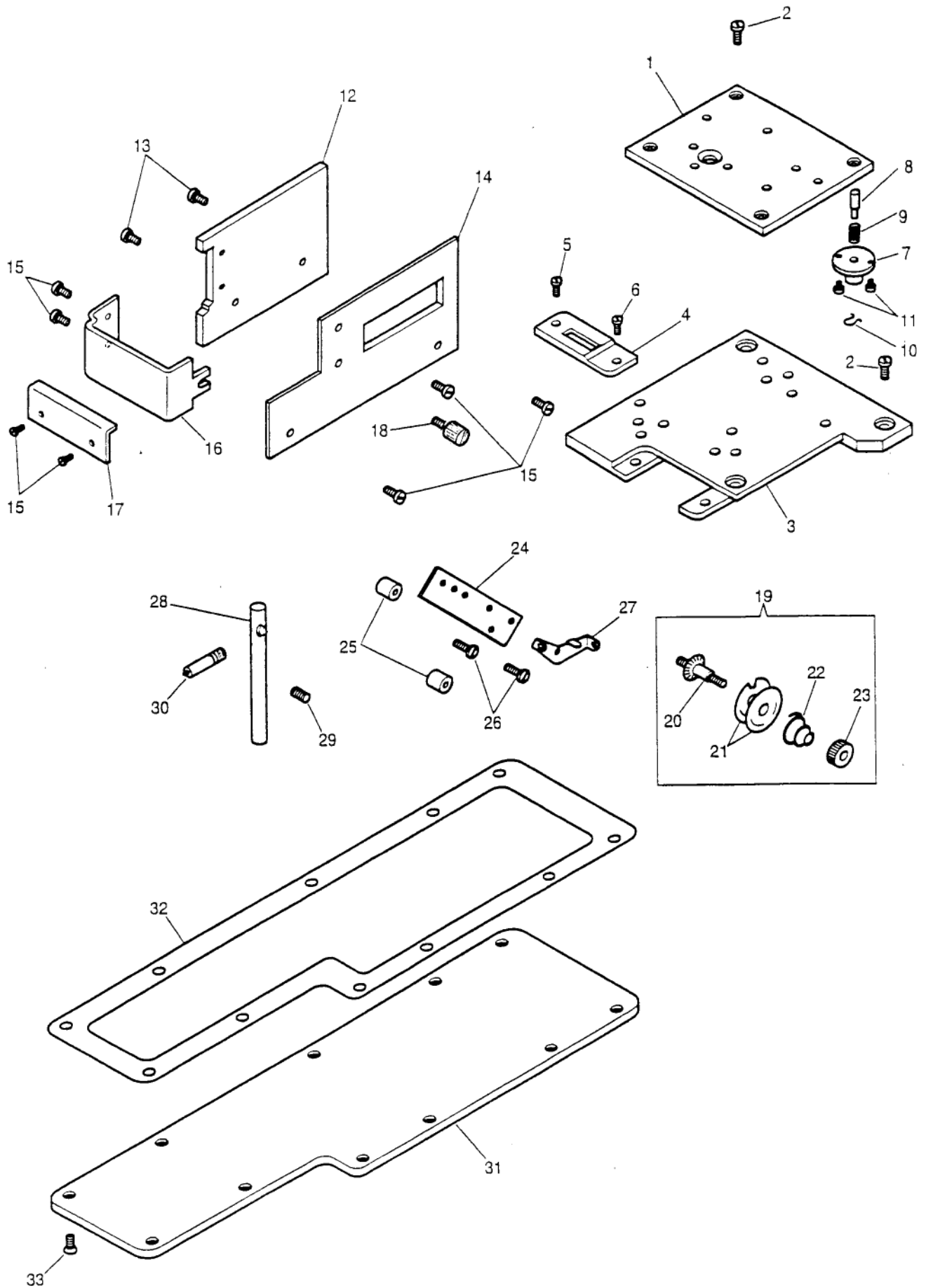


EXTERNAL PARTS SEWING ARM

| NO. | PART NO. | DESCRIPTION |
|-----|------------|--|
| 1 | 559029 | FACE PLATE WITH 268033 AND TWO 228661 AND 545174-452 |
| 2 | 268330 | FACE PLATE HINGE STUD (2) |
| 3 | 545174-452 | FACE PLATE HINGE STUD SET SCREW (2) |
| 4 | 268033 | FACE PLATE LOCK STUD |
| 5 | 228661 | FACE PLATE CUSHION (NEOPRENE) |
| 6 | 268032 | FACE PLATE LOCK SPRING |
| 7 | 415016 | FACE PLATE LOCK SPRING PLATE |
| 8 | 414534 | FACE PLATE LOCK SPRING SCREW (2) |
| 9 | 267701-451 | ARM SIDE COVER |
| 10 | 545295 | ARM SIDE COVER SCREW (4) |
| 11 | 267656-452 | THREAD LUBRICATOR |
| 12 | 504019 | THREAD LUBRICATOR SCREW |
| 13 | 236957 | THREAD LUBRICATOR OIL PAD (FELT) (3) |
| 14 | 559032 | FACE PLATE LOCKER |
| 15 | 374397-002 | FACE PLATE LOCKER SCREW (4) |
| 16 | 415009 | UPPER ARM NEEDLE BAR CRANK HOUSING |



EXTERNAL PARTS SEWING ARM



EXTERNAL PARTS SEWING ARM

| NO. | PART NO. | DESCRIPTION |
|-----|------------|---|
| 1 | 559037 | BED PLATE (RIGHT) |
| 2 | 414508 | BED PLATE SCREW (8) |
| 3 | 559035 | BED PLATE (LEFT) |
| 4 | 559060 | THROAT PLATE |
| 5 | 374107-001 | THROAT PLATE SCREW (BACK) |
| 6 | 414518 | THROAT PLATE SCREW (FRONT) |
| 7 | 268082 | FEED REGULATING STUD SOCKET |
| 8 | 268081 | FEED REGULATING STUD |
| 9 | 270026 | FEED REGULATING STUD SPRING |
| 10 | 240245 | FEED REGULATING STUD RETAINING SPRING |
| 11 | 545249-452 | FEED REGULATING STUD SOCKET SCREW |
| 12 | 559075 | BED COVER (BACK) |
| 13 | 414520 | BED COVER (BACK) SCREW (2) |
| 14 | 559076 | BED COVER (FRONT) |
| 15 | 544217-052 | BED COVER SCREW (7) |
| 16 | 559072 | LOOPER COVER |
| 17 | 559074 | BED COVER (LEFT) |
| 18 | 559073 | LOOPER COVER THUMB SCREW |
| 19 | 415294 | LOOPER THREAD TENSION COMPLETE, NOS. 10148, 415291, 541452 AND TWO 412203 |
| 20 | 415291 | LOOPER THREAD TENSION STUD |
| 21 | 412203 | LOOPER THREAD TENSION DISC (2) |
| 22 | 10148 | LOOPER THREAD TENSION SPRING |
| 23 | 541452 | LOOPER THREAD TENSION THUMB NUT |
| 24 | 415255 | LOOPER THREAD TENSION BRACKET |
| 25 | 543853-003 | LOOPER THREAD TENSION BRACKET SPACING COLLAR (2) |
| 26 | 414532 | LOOPER THREAD TENSION BRACKET SCREW (2) |
| 27 | 268333 | LOOPER THREAD TENSION THREAD GUIDE |
| 28 | 52239 | LOOPER THREAD GUIDE |
| 29 | 544211-052 | LOOPER THREAD GUIDE SET SCREW |
| 30 | 559078 | LOOPER THREAD GUIDE (PIPE) |
| 31 | 559033 | BOTTOM PLATE |
| 32 | 559034 | BOTTOM PLATE GASKET |
| 33 | 544381 | BOTTOM PLATE SCREW (6) |

See

300UX5_Parts_Book_cover

for front and back covers



Model **300UX5** Single Needle, Two Thread, Chainstitch Machine



Your choice for over 150 years.

Whether the task at hand is the sewing of apparel, bedding, or delicate lingerie, Singer remains the standard.

As the company has expanded globally, one theme has remained constant - maintaining and enhancing Singer's reputation for high quality parts and machines.

SPECIFICATIONS

| | | |
|--|---|--------|
| Feed Type: | Compound Feed & Alternating Presser Feet | |
| Number of Needles: | 1 | |
| Maximum Speed: | 3000 S.P.M. | |
| Maximum Stitch Length: | 7.6 mm | |
| Clearance Under Presser Foot: | 11.0 mm (7/16") | |
| Needle Bar Stroke: | 36.5 mm | |
| Distances: | From needle to left side of machine bed is 6.9 mm Space to right of needle is 254 mm | |
| Parts: | | |
| Needle | Catalog Number 4112-01 | |
| Regular Fittings | | |
| | Feed Dog | 559061 |
| | Throat Plate | 559060 |
| | Lifting Presser Foot | 559059 |
| | Vibrating Presser Foot | 559057 |

sales@atlatt.com • www.atlatt.com

We pledge to maintain inventories of the recommended spare parts for our automated workstations and to ship those replacement parts within 72 hours. If the replacement parts are not shipped within 72 hours they will be FREE! Contact Sales for the recommended spare parts list and the model workstations covered.

Atlanta Attachment Company
401 Industrial Park Drive
Lawrenceville, GA 30045 USA
(770) 963-7369 • FAX (770) 963-7641

This equipment is protected by one or more of the following patents: US patents: 4,038,933; 4,280,421; 4,432,294; 4,466,367; 4,644,883; 4,886,005; 5,134,947; 5,159,889; 5,203,270; 5,307,750; 5,373,798; 5,437,238; 5,522,332; 5,524,563; 5,562,060; 5,634,418; 5,647,293; 5,657,711; 5,743,202; 5,865,135; 5,899,159; 5,915,319; 5,918,560; 5,924,376; 5,979,345; 6,035,794.
Foreign patents - 2,084,055; 2,076,379; 2,177,389; 2,210,569; 4-504,742; 8-511,916; 9-520,472; 0,537,323; 92,905,522.6; 95,935,082.8; 96,936,922.2. Other U.S. and Foreign Patents Pending.



02061060502

From the library of: Diamond Needle Corp